

PFB110W

Wall Mount Bracket



Features

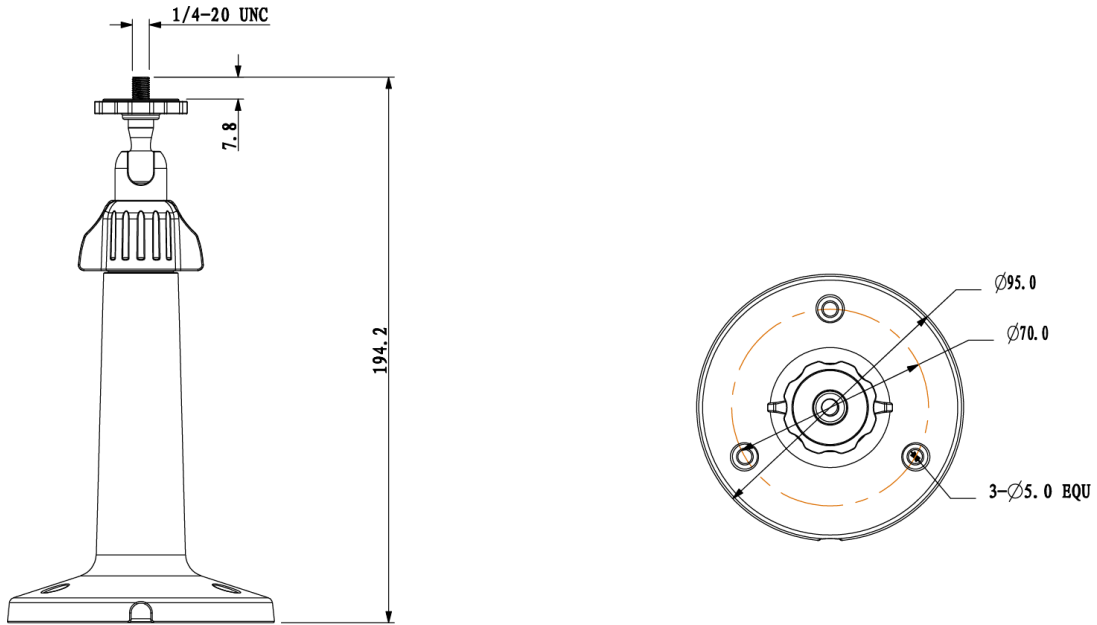
- Material: Aluminum
- Wall Mount/Plane Mount/Ceiling Mount Bracket
- Neat & Integrated design

Specifications

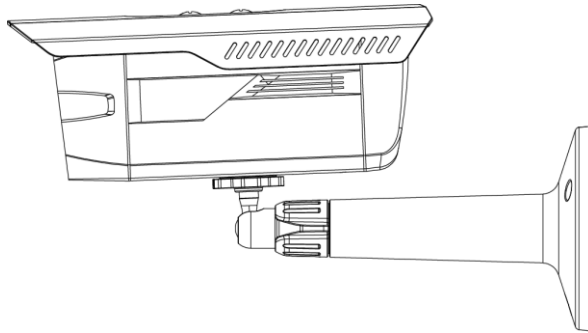
Model	PFB110W
General	
Material	Aluminum
Dimension (W x H x D)	φ95mmx 195mm
Pipe Thread	1/4" -20 UNC
Operating Temperature	-40°C~60°C
Humidity	0~90% RH
Load Bearing	1.0Kg
Weight	0.18Kg
Color	White
Applicable Model	Please see "Accessory Selection"

PFB110W

Dimensions (mm)



Application



Dahua Technology Co., Ltd.

1199BinAn Road, Binjiang District, Hangzhou, China

Tel: +86-571-87688883

Fax: +86-571-87688815

Email: overseas@dahuatech.com

www.dahuasecurity.com

*Design and specifications are subject to change without notice.

© 2013Dahua Technology Co., Ltd.